



**Model DYN-MS-250  
250 N MS Shaker  
Product Manual**

## Product Support

If at any time you have questions or problems with the DYN-MS-250 shaker, please contact a Dynalabs engineer at:

Phone: +90 312 386 21 89 (9 a.m. to 5 p.m., UTC +3)  
e-mail: info@dynamalabs.com.tr

## Warranty

Our products are warranted against defective materials and workmanship for one year. Defects arising from user errors are not covered by the warranty.

## Copyright

All copyrights of this manual belonging to Dynalabs products are reserved. It cannot be reproduced without written consent.

## Disclaimer

Dynalabs Ltd. provides this publication "as is" without warranty of any kind, express or implied, including but not limited to, the implied warranties of merchantability or fitness for a particular purpose. This document is subject to change without notice, and should not be construed as a commitment or representation by Dynalabs Ltd.

This publication may contain inaccuracies or typographical errors. Dynalabs Ltd. will periodically update the material for inclusion in new editions. Changes and improvements to the product described in this manual may be made at any time.

## Table of Contents

1) Introduction .....	4
2) General Information .....	4
2.1) Unpacking and Inspection .....	4
2.2) System Components .....	4
2.3) Theory of Operation.....	5
2.4) Specifications .....	6
2.5) Outline Drawing .....	7
3) Operation and Installation.....	8
3.1) General.....	8
3.3) Shaker-Structure Interaction (Stingers) .....	8
3.4) Shaker Alignment .....	9
3.5) Shaker Mounting.....	9
3.6) Cooling.....	10
3.7) Frequency Response and Resonance .....	10
4) Shaker Maintenance and Troubleshooting .....	11
5) Safety.....	11
6) Declaration of Conformity .....	12

## 1) Introduction

The DYN-MS-250 is designed to provide dynamic force excitation for modal testing of mechanical structures.

The DYN-MS-250 is a compact, lightweight and powerful general purpose electrodynamic shaker providing up to 250 N peak sine force.

## 2) General Information

### 2.1) Unpacking and Inspection

DynaLabs products provide adequate protection for undamaged products to be transported. Document the damages that occur indirectly during the transport and contact the customer representative. Check all components of the shaker. If there is a defect, please contact us.

### 2.2) System Components

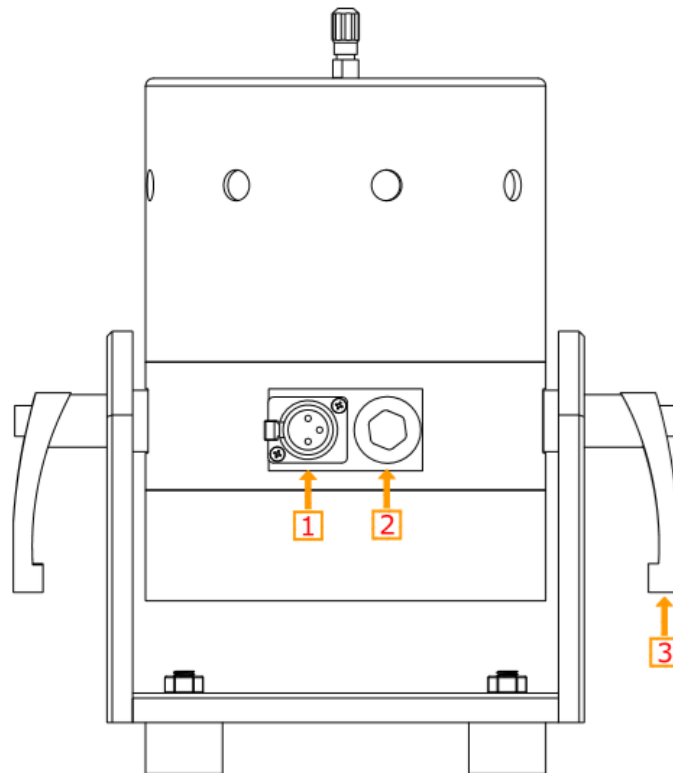
The DYN-MS-250 has the following components:

- Electrodynamic Shaker
- Amplifier (Optional: SA-400 /SA-500)
- Cooling Unit (Blower + Hose + Hose connection adapter + R 1/2 Pneumatic union)
- Power Cables (For Shaker + For Amplifier (optional))
- Signal Cable
- Stinger Set
- Fuse
- User Manual

## 2.3) Theory of Operation

DYN-MS-250 is an electro-magnetic actuator. Electro-magnetic actuators are basically voice coils consisting of a permanent magnet and coil. The moving element can be the coil or the magnet depending on the design requirements. The moving element is usually suspended by an elastic membrane.

DYN-MS-250 has a moving coil (driving coil) whose current is controlled for vibration generation. The stationary magnetic field is produced by a permanent magnet.



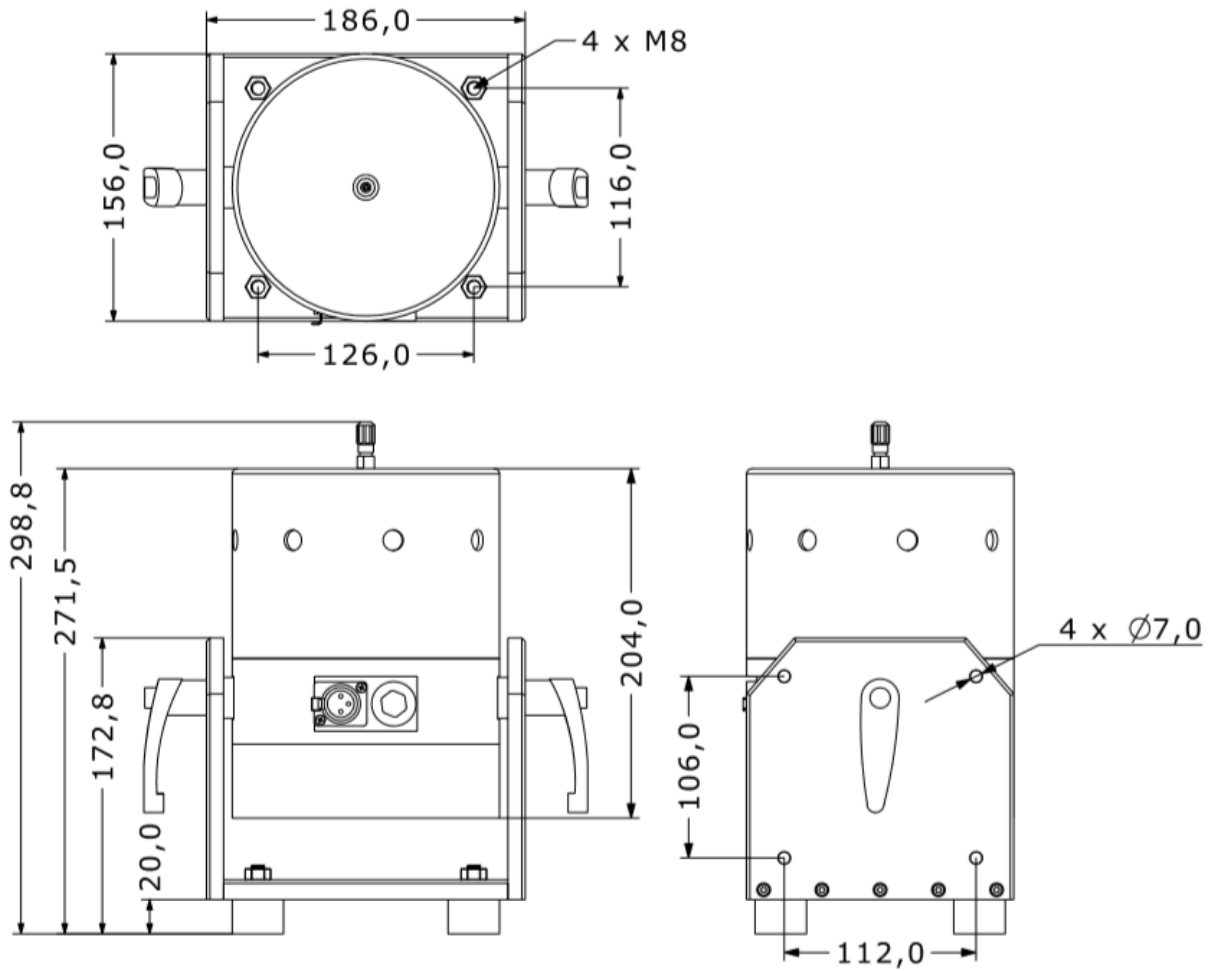
Item	Description
1	Amplifier Input
2	Cooling Port
3	Trunnion Handle

## 2.4) Specifications

Parameters	Specifications
Output Force (Sinus)	250 N
Frequency	0-5 kHz
Displacement (Peak to Peak)	25 mm
Suspension	Carbon Fiber
Maximum Acceleration	100 g
Shaker Weight	11.6 kg
Cooling System	Forced Convection
Operation Temperature Range	5-35 °C
Maximum Input Current	10A (RMS)
Amplifier	External
<b>DYN-BLW-511 Monofaze Blower</b>	
Frequency	50 Hz
Rated Power	0.8 kW
Input Voltage	230 V
Input Current	5.2 A
Blower Weight	15 kg

## 2.5) Outline Drawing

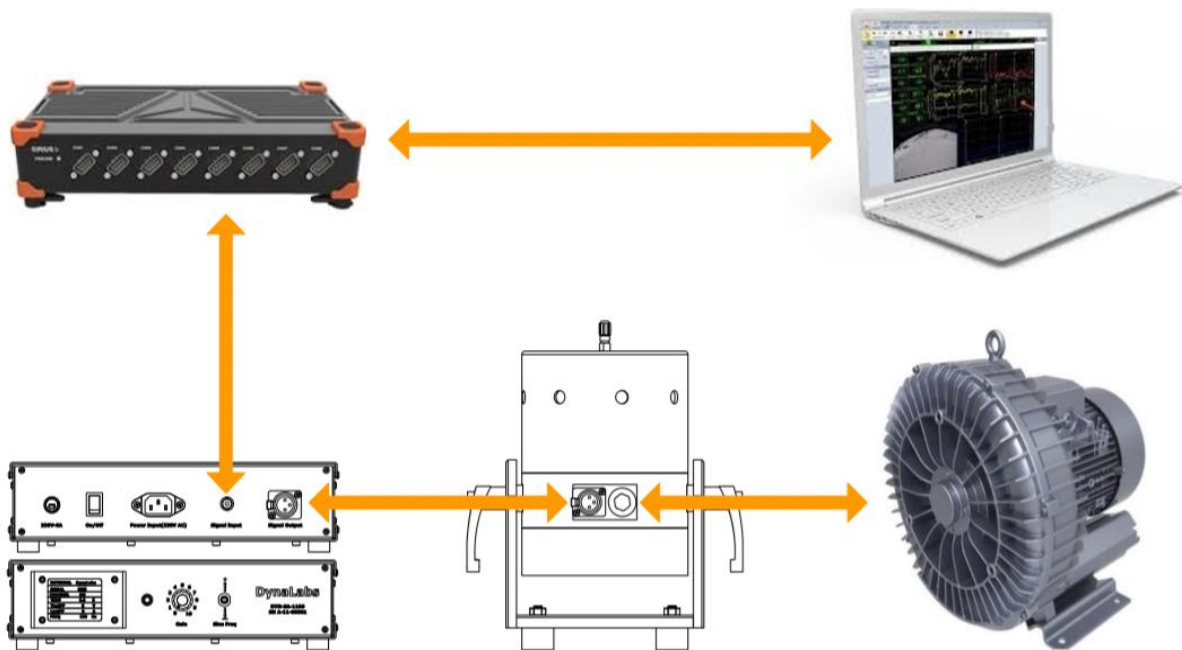
The dimensional properties of DYN-MS-250 shakers are given below. All dimensions are in mm.



## 3) Operation and Installation

### 3.1) General

Refer to the figure below that shows the shaker connector configuration. Connect the shaker/amplifier cable to the shaker and amplifier. Connect the drive signal cable to the signal generator and connect the power cable of the amplifier. Then turn on the amplifier by pushing the on/off button. To increase gain up, turn the gain knob in clockwise direction. The user must turn off the gain button in order to power down the shaker.

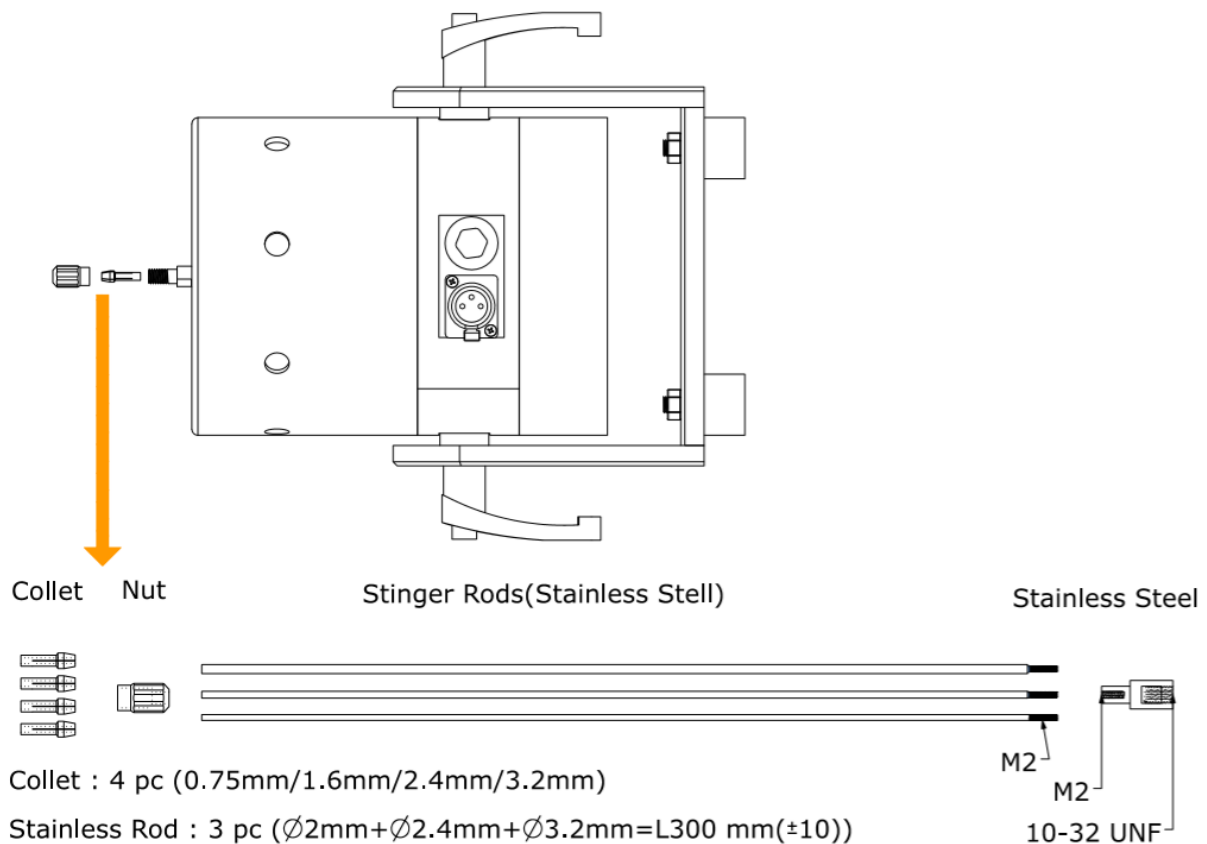


### 3.3) Shaker-Structure Interaction (Stingers)

Stingers used in modal shakers are thin rods with a specific length yielding low lateral and high axial stiffness. The high axial stiffness is necessary to transmit the shaker force directly to the test structure with high efficiency whereas the low lateral stiffness is necessary for protecting the shaker from moment loads and to minimize shaker alignment issues. The stingers are mounted on the shaker via a chuck. Force or impedance head sensors can be mounted on the other side.

The Dynalabs modal shakers stinger sets include chuck and 3 stinger rod sizes. The chuck consists of two pieces. The collet squeezes the stinger with the tightening effect of the nut. Choose a collet size as close to your stinger diameter as possible.





### 3.4) Shaker Alignment

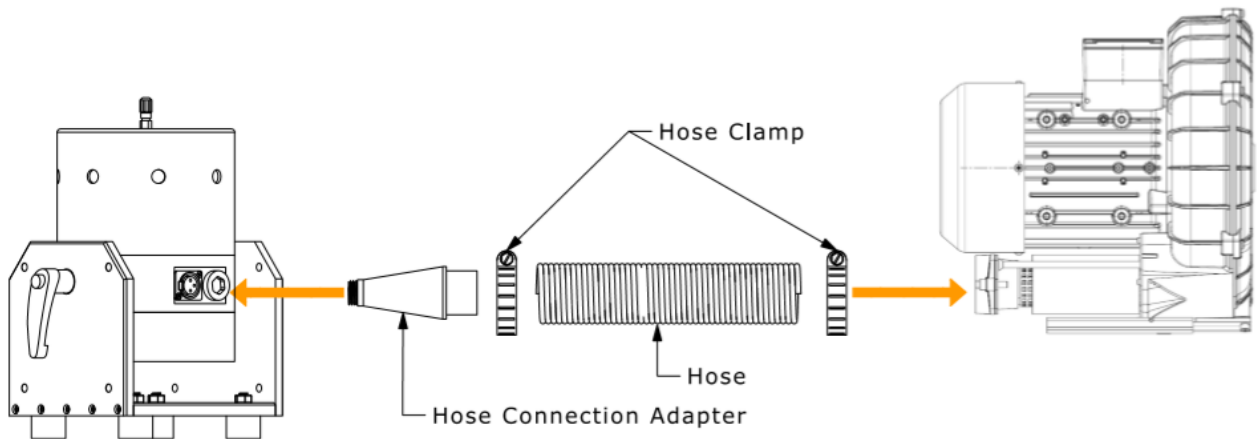
Shaker alignment is a very important step of modal testing. Poor alignment can cause force components in unmeasured directions and can even damage the shaker. In order to overcome this problem, the trunnion can be adjusted for proper alignment. Furthermore, the tip of the stinger can be removed during the alignment process in order to reduce the free end deflection as shown above.

### 3.5) Shaker Mounting

The shaker is designed to rest on its rubber isolators. However, these isolators can be removed for rigid or semi-rigid mounting. If it is not possible to bolt down the shaker, hot glue is also a good mounting option. The shaker can also be suspended by elastic bungee cords for lateral testing. Additional inertial weight may be attached to the bottom of the shaker using hot glue.

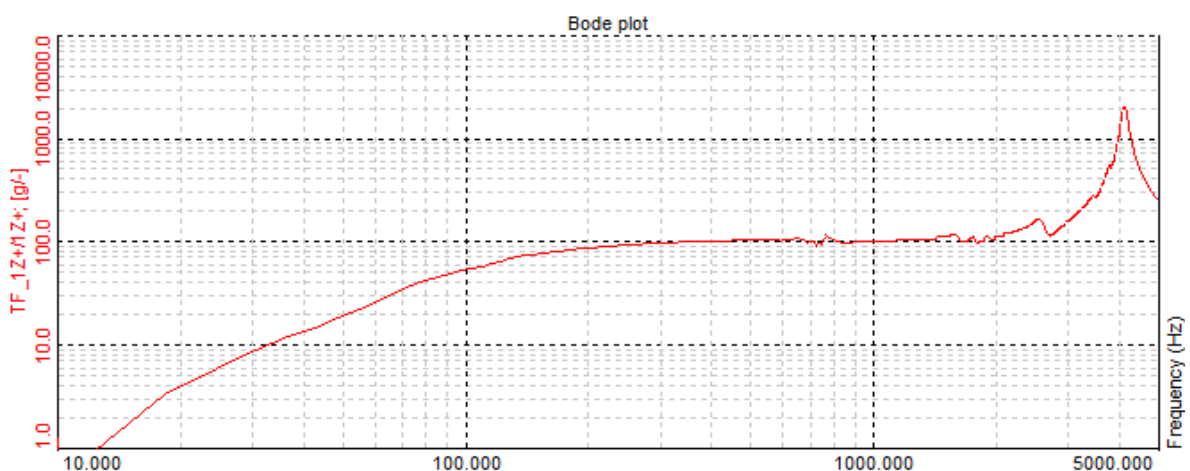
## 3.6) Cooling

DYN-MS-250 does not require forced cooling up to 125N operation. In order to achieve full performance level of 250N use the cooling unit supplied with the shaker. The cooling unit must be used in vacuum mode for best performance. The connections of the cooling unit are given as below.



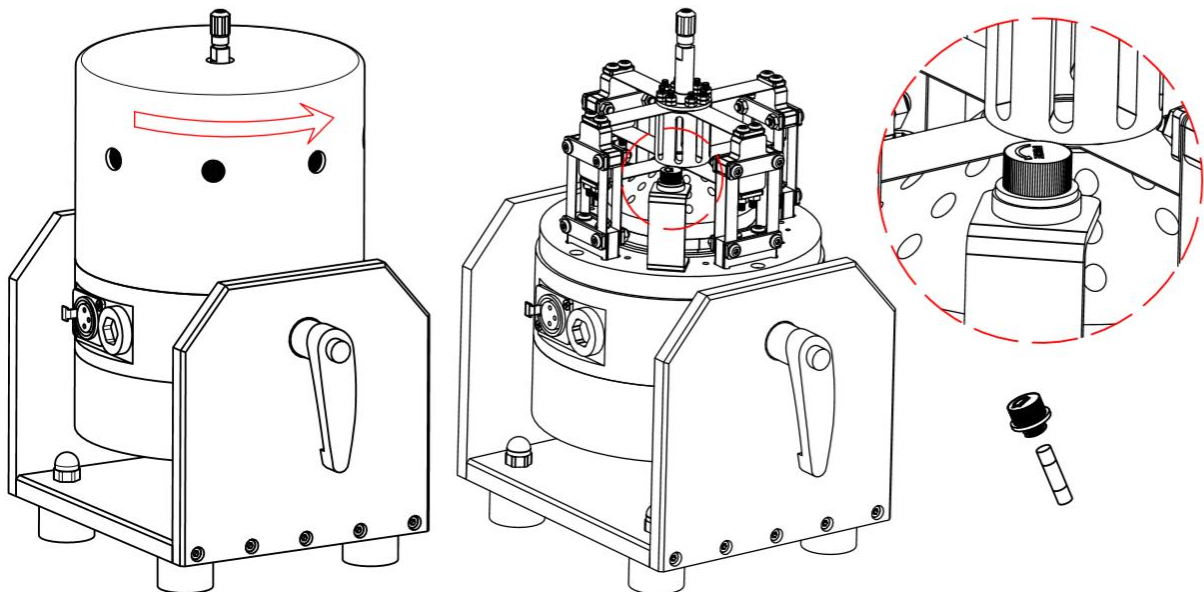
## 3.7) Frequency Response and Resonance

The following figure shows the acceleration levels/Input voltage versus frequency of the shaker.



## 4) Shaker Maintenance and Troubleshooting

The DYN-MS-250 shaker is a sealed device requiring no maintenance if the operating instructions described in this manual are followed. Repair of damage to the coil, exciter body or magnet core should not be attempted. The only user replaceable part is the fuse placed inside the shaker. In order to replace the fuse unplug all cables from the shaker and turn the cover in counter clockwise direction as shown. Then replace the fuse and close the cover. For any other problem, please return the shaker to Dynalabs for proper repair.



## 5) Safety

Please ensure that this manual section is reviewed and understood prior to installation, operation or maintenance of the equipment. The danger of electrical shock or fire always exists in electrical equipment. The DYN-MS-250 MS Shaker is designed for safe operation. Safety features such as electrical insulation on outer surfaces are provided for the safe operation of the shaker system.

## 6) Declaration of Conformity

# DynaLabs



*This declaration of conformity is issued under the sole responsibility of the manufacturer.  
The product(s) are developed, produced and tested according to following EC- directives:*

- 2014/35/EU – Low Voltage Directive (LVD)
- 2006/42/EU – Machinery Safety Directive
- 2015/863/EU – RoHS Directive

*Applied standards:*

- EN 61010-1:2010
- EN ISO 12100:2010
- MIL-STD-810-H-2019 (Test Methods: 501.7 - High Temperature, 502.7 - Low Temperature, 514.8 - Vibration, 516.8 – Shock)

*DYNALABS MÜHENDİSLİK SANAYİ TİCARET LİMİTED ŞİRKETİ declares  
that above mentioned products meet all the requirements of the above mentioned  
standards and regulations.*

A handwritten signature in blue ink, appearing to be 'Canan Karadeniz', written over a horizontal line.

Canan Karadeniz, General Manager

Ankara, 15.07.2021